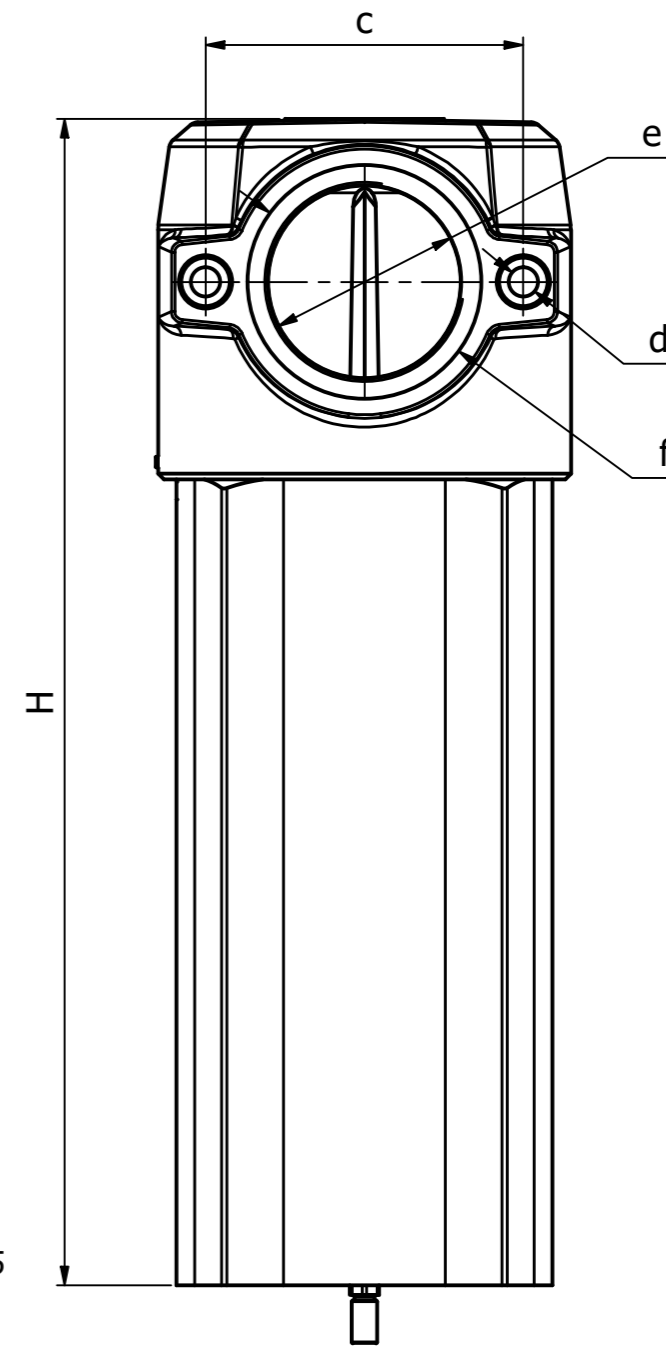
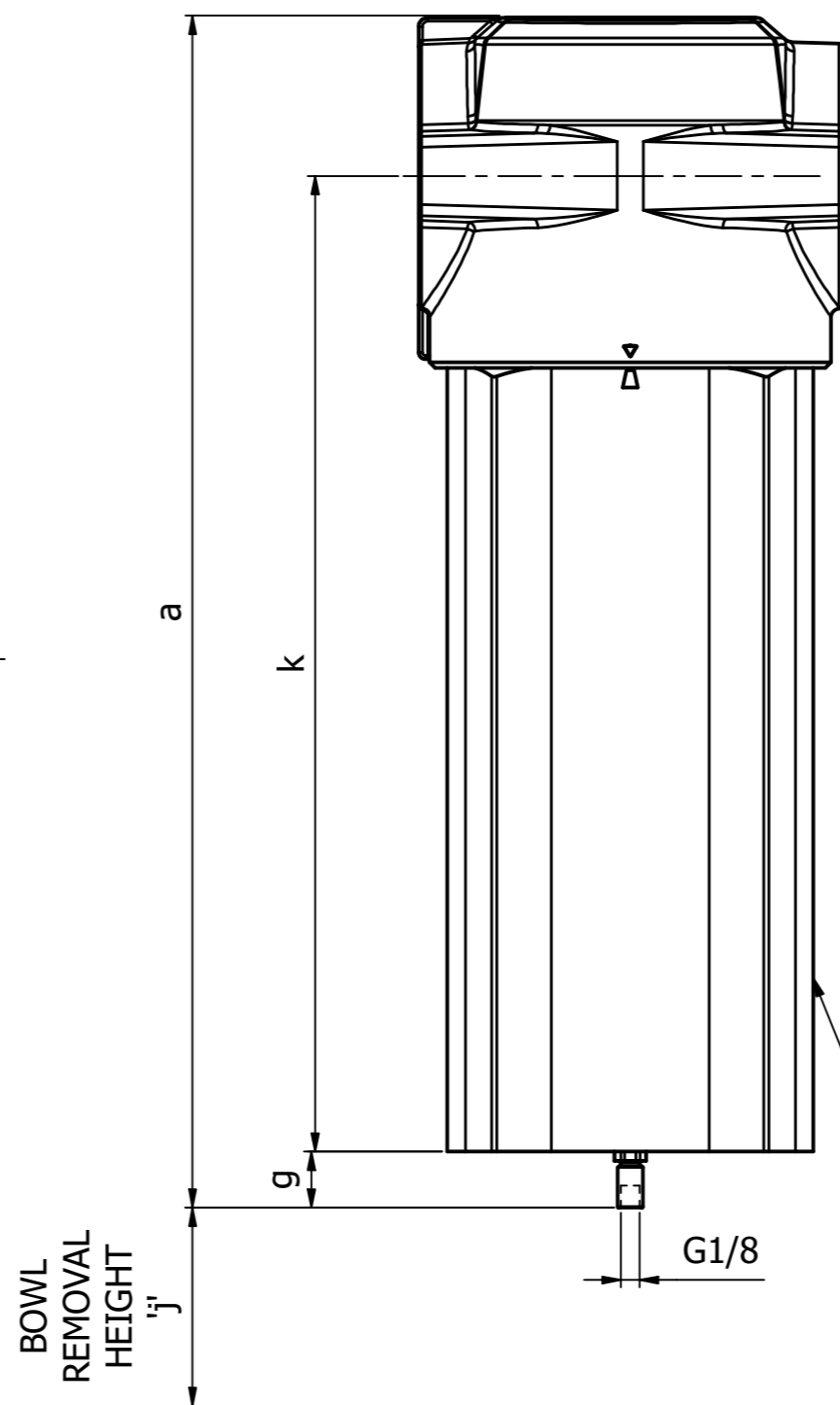
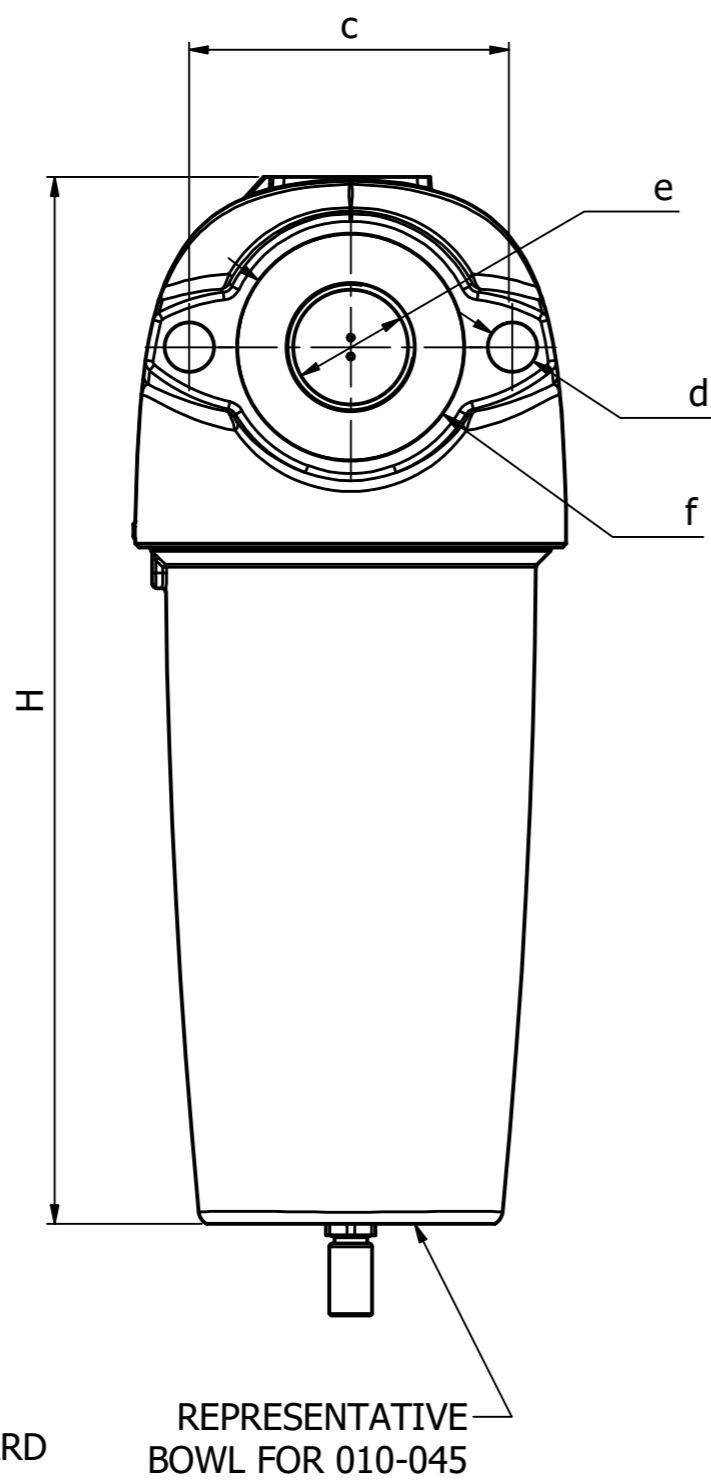
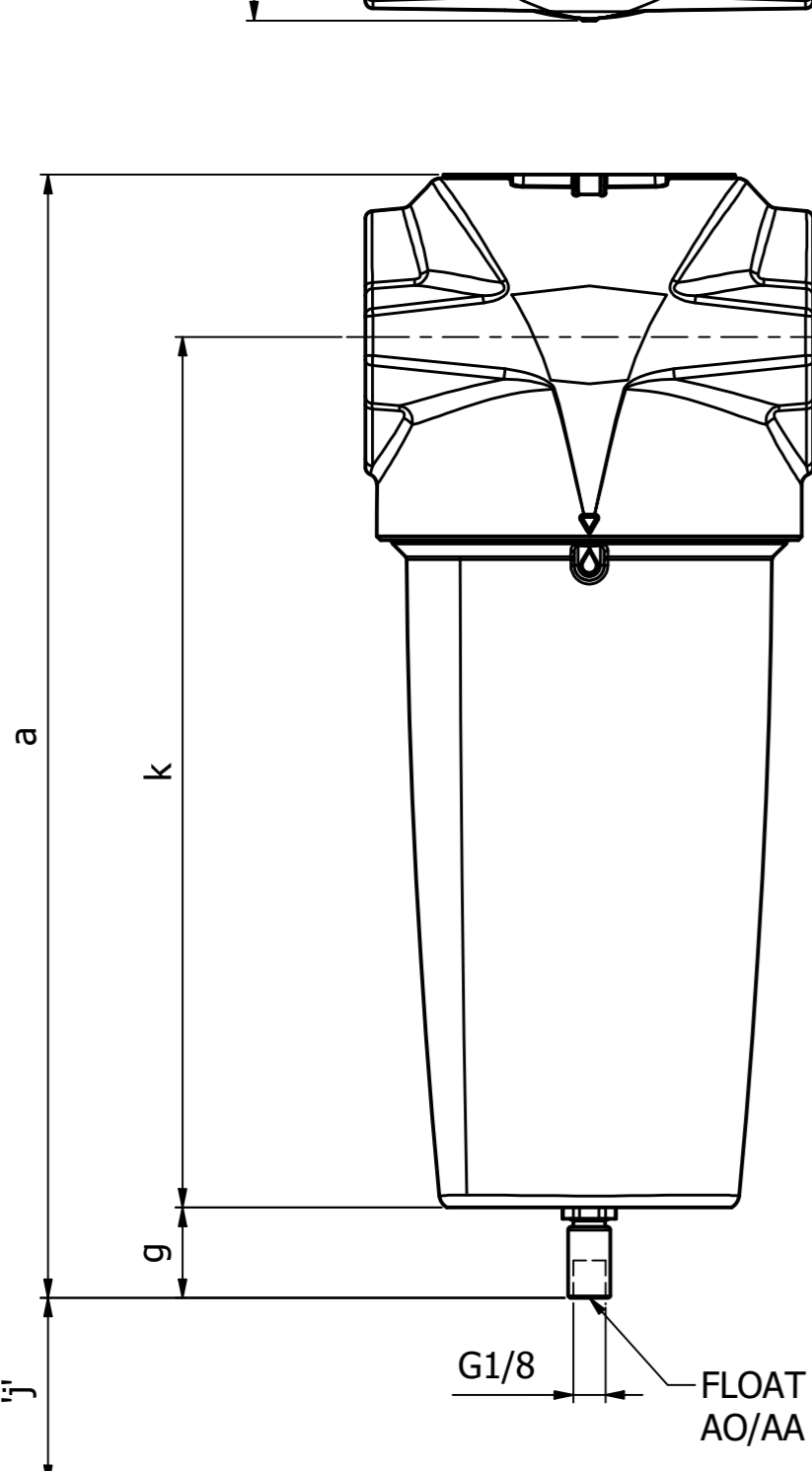
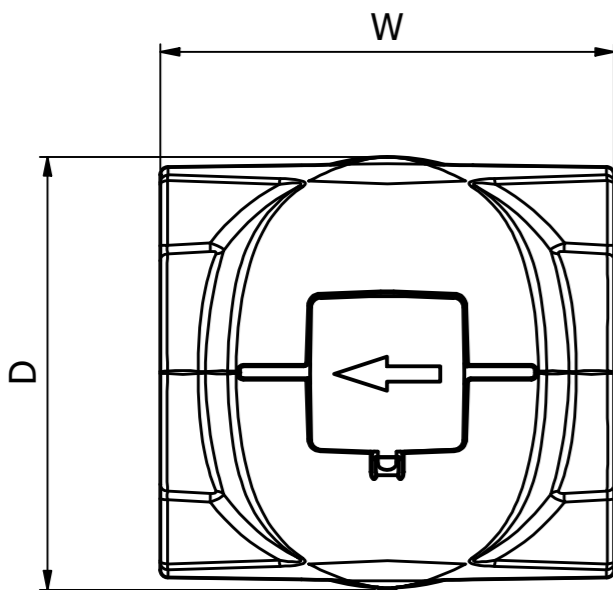


MODEL	HEIGHT (H)		WIDTH (W)		DEPTH (D)		WEIGHT		a		b		c		d		e*	f		g		i		j		k		Internal Volume
	mm	ins	mm	ins	mm	ins	kg	lbs	mm	ins	mm	ins	mm	ins	mm	ins	NPT / BSPP	mm	ins	mm	ins	mm	ins	mm	ins	mm	ins	LTRS
WS PX010A	180.0	7.09	76.0	2.99	65.0	2.56	0.81	1.78	210.0	8.27	-	-	42.0	1.65	6.50	0.26	1/4"	30.0	1.18	30.0	1.18	-	-	50.0	1.97	154.0	6.06	0.265
WS PX010B	180.0	7.09	76.0	2.99	65.0	2.56	0.81	1.78	210.0	8.27	-	-	42.0	1.65	6.50	0.26	3/8"	30.0	1.18	30.0	1.18	-	-	50.0	1.97	154.0	6.06	0.265
WS PX010C	180.0	7.09	76.0	2.99	65.0	2.56	0.81	1.78	210.0	8.27	-	-	42.0	1.65	6.50	0.26	1/2"	30.0	1.18	30.0	1.18	-	-	50.0	1.97	154.0	6.06	0.265
WS PX015B	238.0	9.37	89.0	3.50	84.0	3.31	1.41	3.10	268.0	10.55	-	-	62.0	2.44	9.00	0.35	3/8"	44.0	1.73	30.0	1.18	-	-	50.0	1.97	202.0	7.95	0.620
WS PX015C	238.0	9.37	89.0	3.50	84.0	3.31	1.41	3.10	268.0	10.55	-	-	62.0	2.44	9.00	0.35	1/2"	44.0	1.73	30.0	1.18	-	-	50.0	1.97	202.0	7.95	0.620
WS PX020D	238.0	9.37	89.0	3.50	84.0	3.31	1.41	3.10	268.0	10.55	-	-	62.0	2.44	9.00	0.35	3/4"	44.0	1.73	30.0	1.18	-	-	50.0	1.97	202.0	7.95	0.620
WS PX025D	277.0	10.91	120.0	4.72	115.0	4.53	2.66	5.86	307.0	12.09	-	-	86.0	3.39	13.00	0.51	3/4"	60.0	2.36	30.0	1.18	-	-	70.0	2.76	232.0	9.13	1.548
WS PX025E	277.0	10.91	120.0	4.72	115.0	4.53	2.66	5.86	307.0	12.09	-	-	86.0	3.39	13.00	0.51	1"	60.0	2.36	30.0	1.18	-	-	70.0	2.76	232.0	9.13	1.548
WS PX030G	277.0	10.91	120.0	4.72	115.0	4.53	2.66	5.86	307.0	12.09	-	-	86.0	3.39	13.00	0.51	1 1/2"	60.0	2.36	30.0	1.18	-	-	70.0	2.76	232.0	9.13	1.548
WS PX035G	440.0	17.32	164.0	6.46	157.0	6.18	6.87	15.14	470.0	18.50	-	-	121.0	4.76	13.00	0.51	1 1/2"	92.0	3.62	30.0	1.18	-	-	100.0	3.94	383.0	15.07	4.4
WS PX040H	440.0	17.32	164.0	6.46	157.0	6.18	6.87	15.14	470.0	18.50	-	-	121.0	4.76	13.00	0.51	2"	92.0	3.62	30.0	1.18	-	-	100.0	3.94	383.0	15.07	4.4
WS PX045I	440.0	17.32	164.0	6.46	157.0	6.18	6.87	15.14	470.0	18.50	-	-	121.0	4.76	13.00	0.51	2 1/2"	92.0	3.62	30.0	1.18	-	-	100.0	3.94	383.0	15.07	4.4
WS PX050I	514.5	20.26	192	7.56	183	7.2	8.47	18.66	546.5	21.52	-	-	140	5.51	13	0.51	2 1/2"	103	4.06	32	1.25	-	-	120	4.72	442.5	17.42	10.28
WS PX055J	514.5	20.26	192	7.56	183	7.2	8.47	18.66	546.5	21.52	-	-	140	5.51	13	0.51	3"	103	4.06	32	1.25	-	-	120	4.72	442.5	17.42	10.28

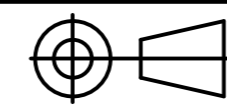
*THREADED CONNECTION 'e' CAN BE EITHER BSPP OR NPT

WATER SEPARATOR DIMENSIONS



ECO No. 0367478	REV C
PLEASE CONSIDER THE ENVIRONMENT PRIOR TO PRINTING THIS DRAWING	
DO NOT SCALE - IF IN DOUBT ASK	
BASED ON BS 8888 DIMENSIONS IN MILLIMETRES	
GENERAL TOLERANCES UNLESS OTHERWISE STATED	
MACHINED DIMENSIONS	
.XX ±0.13	UP TO 300 ±0.3
.X ±0.25	OVER 300 TO 600 ±0.5
POSITIONAL TOLERANCE	
PLAIN HOLES	Ø0.13
TAPPED HOLES	Ø0.26
CONCENTRICITY TOLERANCE	0.13 TIR
MACHINED SURFACES INDICATED THUS	
SURFACE TEXTURE TO BS 1134	
VALUES IN MICROMETRES	
ANGLES ±1/2° (EXCEPT CHAMFERS)	
METRIC THREADS TO BS 3643 MED. CLASS	
EXTERNAL	6g
INTERNAL	6h
PIPE THREADS	
PRESSURE TIGHT TO BS 21	
SHEET METALWORK & FABRICATIONS	
SHEET METALWORK DIMENSIONS	
UP TO 500	±0.5
OVER 500 TO 1000	±1.0
OVER 1000	±1.5
FABRICATED PARTS DIMENSIONS	
UP TO 500	±2
OVER 500 TO 1000	±4
OVER 1000	±6
POSITIONAL TOLERANCE FOR PLAIN & TAPPED HOLES	
UP TO 500	Ø1.0
OVER 500	Ø2.0
Parker Hannifin Manufacturing Ltd Filtration & Separation Division Dukesway, Team Valley Gateshead, Tyne & Wear England, NE11 0PZ TEL +44 (0)191 402 9000 FAX +44 (0)191 482 6296 www.parker.com/dhms	
THIS DOCUMENT IS COPYRIGHT AND IS THE PROPERTY OF PARKER HANNIFIN LTD. IT MUST NOT BE COPIED IN WHOLE OR PART, USED FOR MANUFACTURE OF, OR OTHERWISE DISCLOSED WITHOUT PRIOR WRITTEN CONSENT OF THE COMPANY	
DRG No.	SHEET
101-10774	1 / 1

MATERIAL	SCALE
GEN. ARRT.	1:2



NAME	DRAWN	CHECKED	APPROVED	TITLE
DATE	07/04/2021	19/04/2021	19/04/2021	WS PX010-055 DIMENSIONS